

#342-#344

DRAIN

Church St. (E.S.)

Permit

260'± N. of Irvington St.

No.

21474-88

Enters

Church St.

Drain Plot No.

153

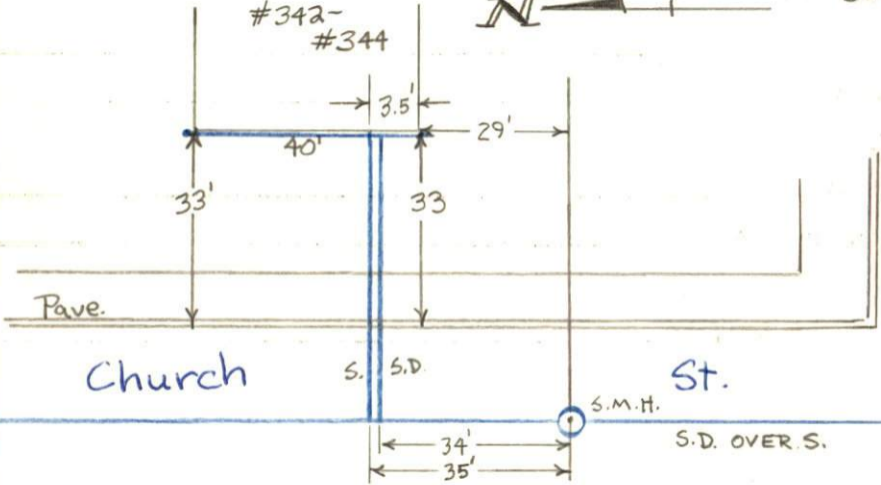
From Property of

James W. Burgess

P. 113  
L. 209



#342-  
#344



Irvington St.

Pave.

Church

S. S.D.

St.

S.M.H.

S.D. OVER S.

33'

40'

3.5'

29'

33

34'

35'