

#1562 /

DRAIN

SASSAQUIN Ave. (S.S.)

Permit

110' ± W. of Acushnet Ave.

No. 20568-81....

Enters

SASSAQUIN Ave. Sewer

Drain Plot No.

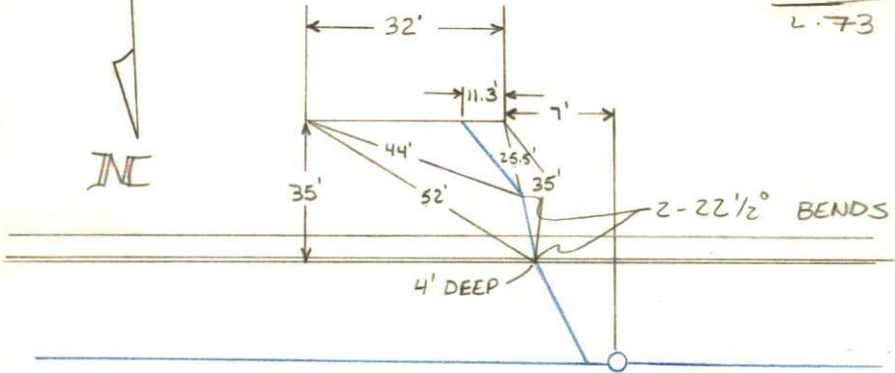
218 A

From Property of

Philip J. Silva

#1562

P. 137
L. 73



SASSAQUIN

Ave.