

DRAIN

JUNE ST. (NS)

#1015

Permit

135' ± W. OF ACUSHNET AVE.

No. 20555-81.

Enters

JUNE ST. SEWER

Drain Plot No.

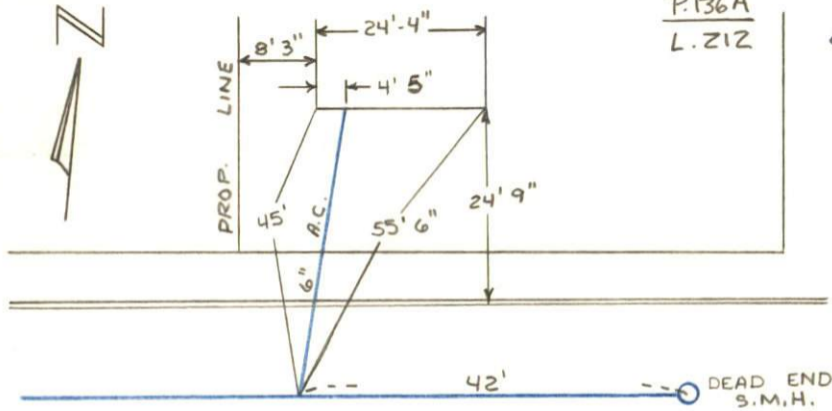
215

From Property of

APOLLO REALTY

P.136A
L.212

ACUSHNET AVE.



JUNE

ST.