

DRAIN

PAULINE ST. NS.

Permit

No. .... 17652-60

W. OF BROWNELL AVE.

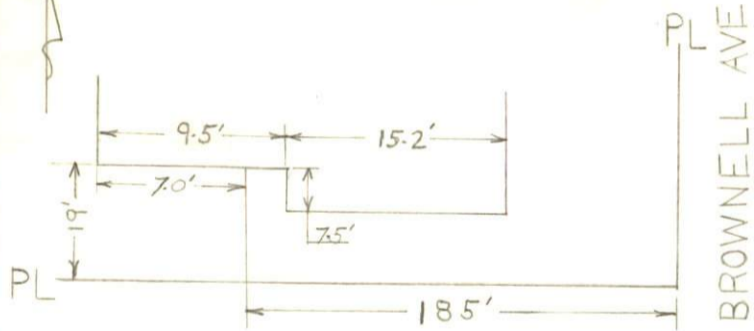
Enters

PAULINE ST. SEWER

Drain Plot No. 86

From Property of VIGENT

W. OF BROWNELL AVE



PAULINE ST NS.

